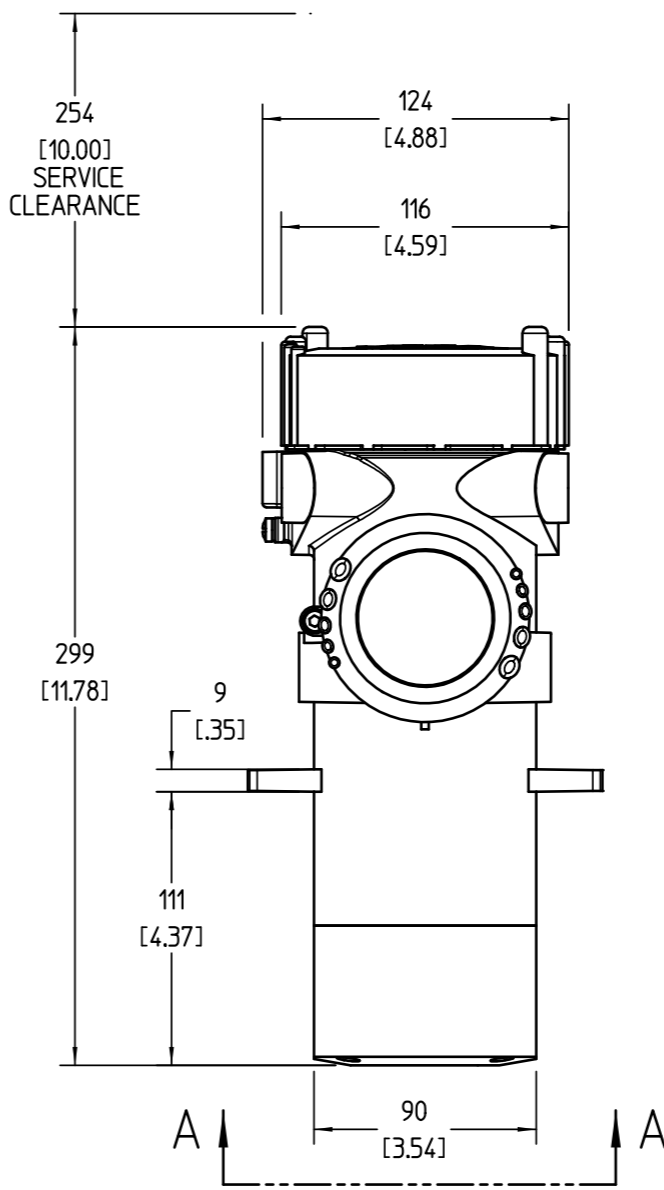
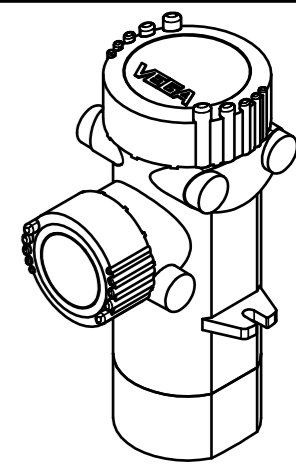


A-A



SLOT FOR 5/16" OR M8 MOUNTING HARDWARE



- NOTES:
- DETECTOR SHOULD BE MOUNTED AS FOLLOWS:
    - THE DETECTOR SCINTILLATOR SHOULD BE SET AT THE DETECTOR GAP RECOMMENDED ON THE SIZE SHEET. IF A SIZE SHEET IS NOT AVAILABLE, VEGA RECOMMENDS 50mm [2"] FOR VESSELS WITH MAXIMUM SURFACE TEMPERATURE LESS THAN 60°C AND AT LEAST 150mm [6"] FOR VESSELS WITH MAXIMUM SURFACE TEMPERATURE GREATER THAN 60°C. THIS SPACING IS FROM THE VESSEL'S EXTREME OUTER SURFACE ( INSULATION, SHEATHING, ETC. ) TO THE SCINTILLATOR SURFACE.
    - DO NOT REMOVE ANY INSULATION FROM THE VESSEL DURING INSTALLATION.
    - DO NOT PLACE ANY MATERIAL BETWEEN THE VESSEL'S EXTREME OUTER SURFACE AND THE SCINTILLATOR UNLESS DIRECTED BY VEGA.
    - MAKE SURE PROCESS MATERIAL OR OTHER FOREIGN MATTER CANNOT ACCUMULATE BETWEEN VESSEL AND SCINTILLATOR.
  - APPROXIMATE WEIGHTS 4.1 kg [9 lb] ALUMINIUM HOUSING OR 9.1 kg [20 lb] STAINLESS STEEL HOUSING

Projektionsmethode Projection angle		Achtung: Diese Zeichnung stellt die zum Zeitpunkt der Konfiguration gültige Geräteausführung dar. Sie wurde automatisch erstellt, spätere Konfiguration können hiervon abweichen. Attention: This drawing shows the valid instrument version on the configuration date. It was created automatically, later configurations may vary.	
Maßstab Scale	1:3	eID	MB6881-US-PC-4
Originalformat size of origin	B	Produktschlüssel Model Code	POINTRAC 31 (1.8")
		Datum/Date	2019-10-15
Alle Bemäufungen in mm [inch] / All dimensions are mm [inches]			