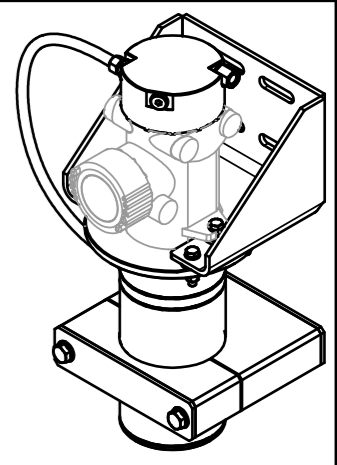
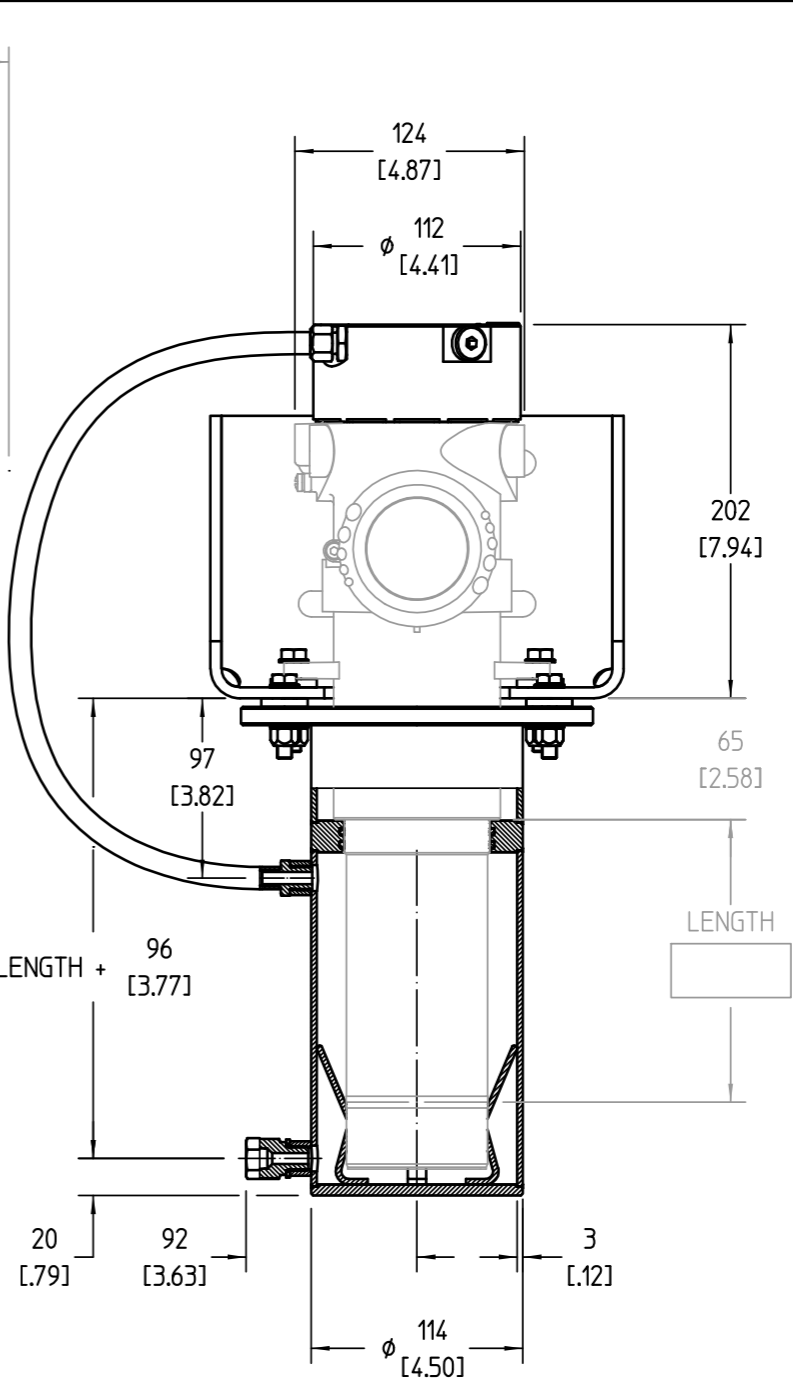
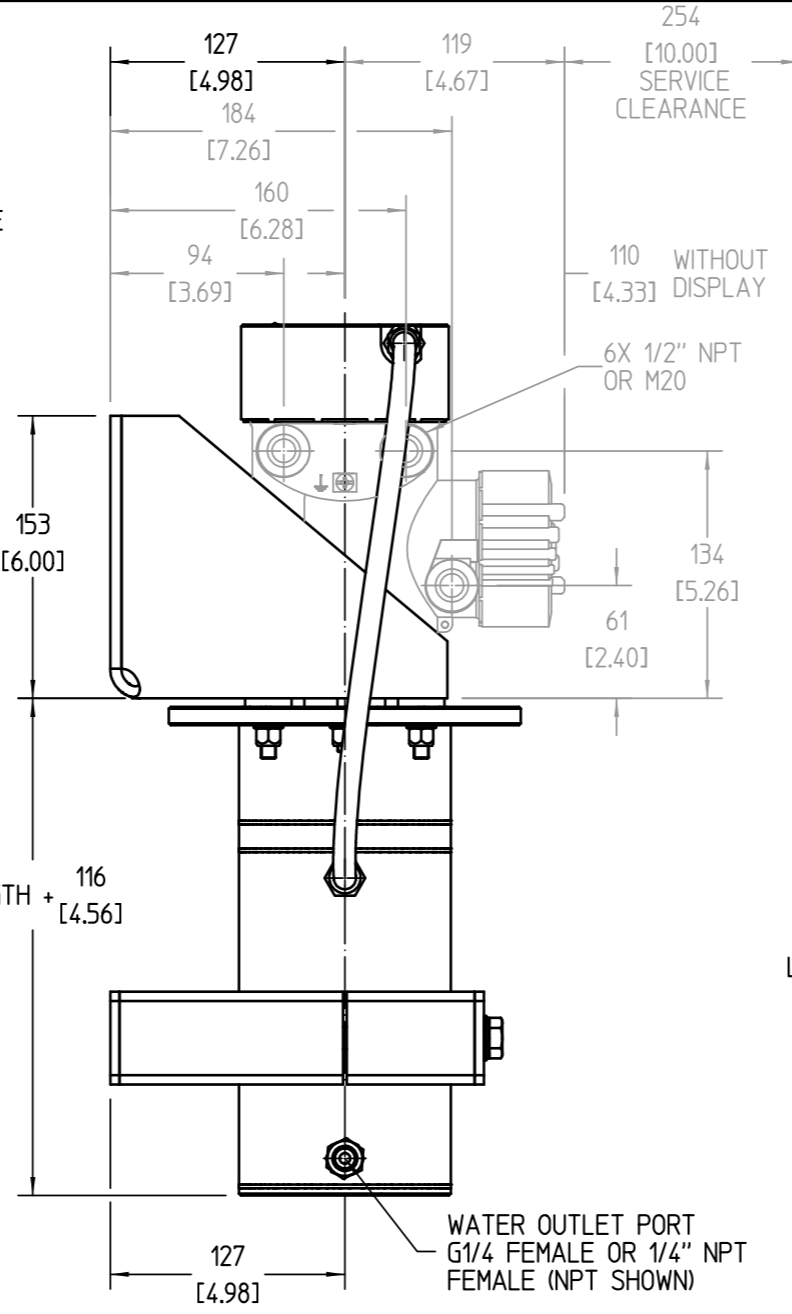
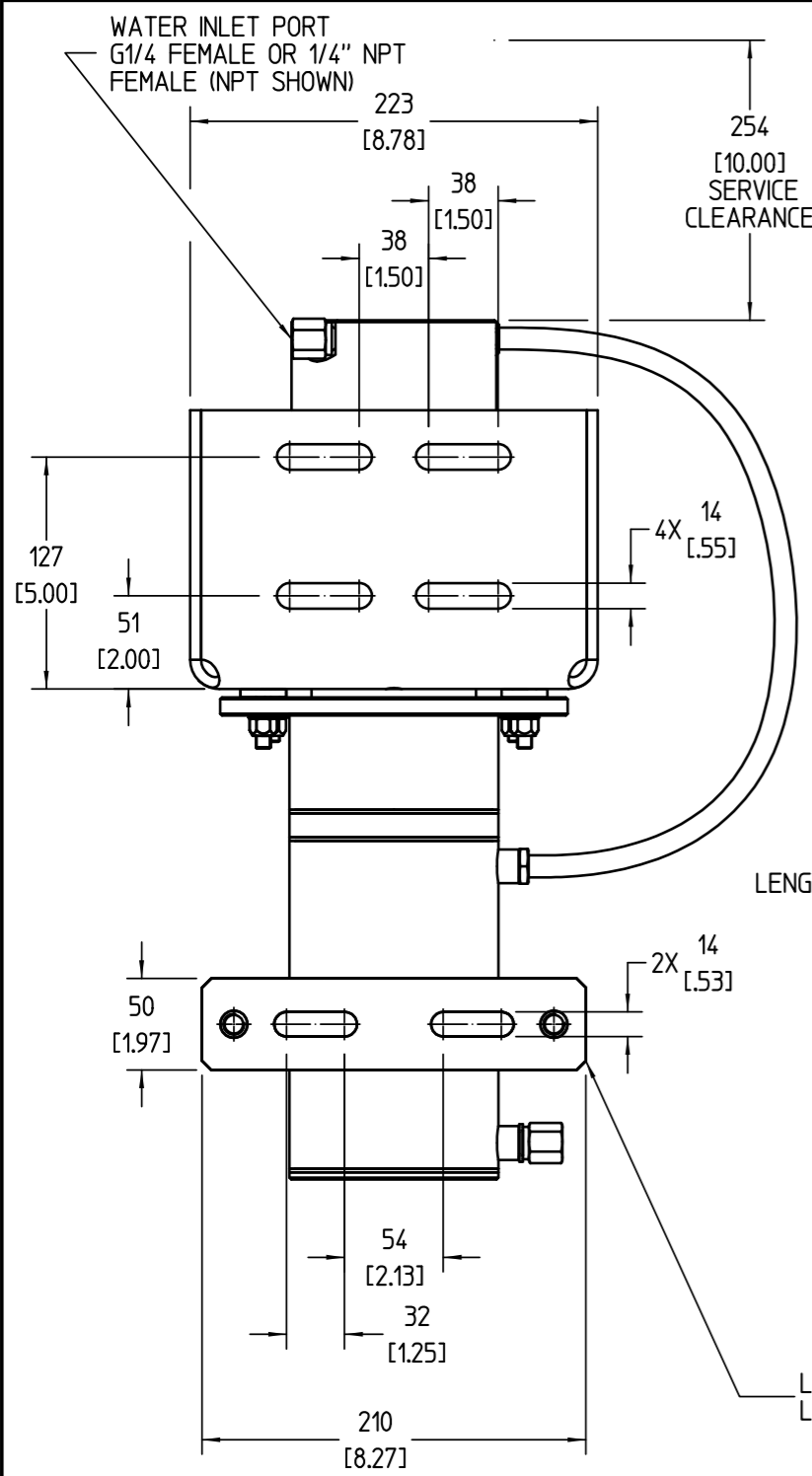


THIS DOCUMENT INCLUDES INFORMATION WHICH IS PROPRIETARY TO VEGA AMERICAS INC. NEITHER THIS DOCUMENT NOR THE INFORMATION DISCLOSED HEREIN SHALL BE USED OR DISCLOSED TO OTHERS FOR MANUFACTURING OR ANY OTHER PURPOSE EXCEPT AS SPECIFICALLY AUTHORIZED IN WRITING BY VEGA AMERICAS INC. THIS DOES NOT APPLY TO INFORMATION FURNISHED BY VENDORS OR OTHERS OUTSIDE VEGA AMERICAS INC.

Diese Zeichnung bleibt Eigentum der Firma VEGA Americas Inc. Sie darf ohne unsere Genehmigung weder kopiert, noch 3. Personen oder Konkurrenzfirmen mitgeteilt werden. (g 2 Abs.1 Ziff.7 UrhG vom 09.09.1965)



L UP TO 1000 [36.00] 1X CLAMP
 L > 1000 [36.00] 2X CLAMPS INCLUDED

NOTES:
 1. EXPOSED MATERIAL IS 316 STAINLESS STEEL.
 2. APPROXIMATE WEIGHT OF COOLING SYSTEM IS 11.5 kg [26 lb] + .0088kg/mm [.1 lb/in] X LENGTH.

		03	ADDED NOTES		31318	25.04.2019	conley	shre	veb	
		02	'L' CHANGED TO 'LENGTH'		29479	08.05.2018	schmidts	shre	veb	
		01	UPDATED WATER INLET/OUTLET NOTES		TBD	14.09.2016	shre	shre	veb	
		-	INITIAL RELEASE		25445	21.10.2015	grieshopc	shre	veb	
Passmaß/tol.dimens.	Abmaß/allowance	Änderung / revision					Änd. Nr. / EON no.	Datum / Date	gezeichnet / freigegeben / drawn / checked	
	Freimaßtoleranz general tolerance	gezeichnet drawn	Datum/Date	Name/Name	Benennung		Description			
		freigegeben checked	21.10.2015	grieshopc	WATER COOLING POINTRAC 31		WATER COOLING POINTRAC 31			
		Maßstab Scale	28.10.2015	shre						
Werkstoff / Material		Originalformat size of origin	VEGA		Art.Nr. / Art.No.		MB6306-1-US		Änd.-Zust. / Rev.	
		B	VEGA Americas Inc. 4241 Allendorf Drive Cincinnati, Ohio 45209 USA		Zchngs.-Nr. / Drawing No.		MB6306-1-US		03	
		Blatt / Sheet			Var.Fam.:PT-C31.XXWNXXXXXXX		Var.Fam.2:POINTRAC31-CO			
		1 von 1			Teil ähnl. / sim. part		Ersatz f./replacement f.			
					Arb.Anw. / work.instr.		DIMENSIONS/BEMASSUNGEN: mm [INCHES]			