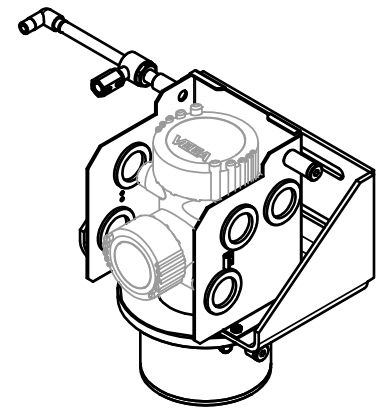
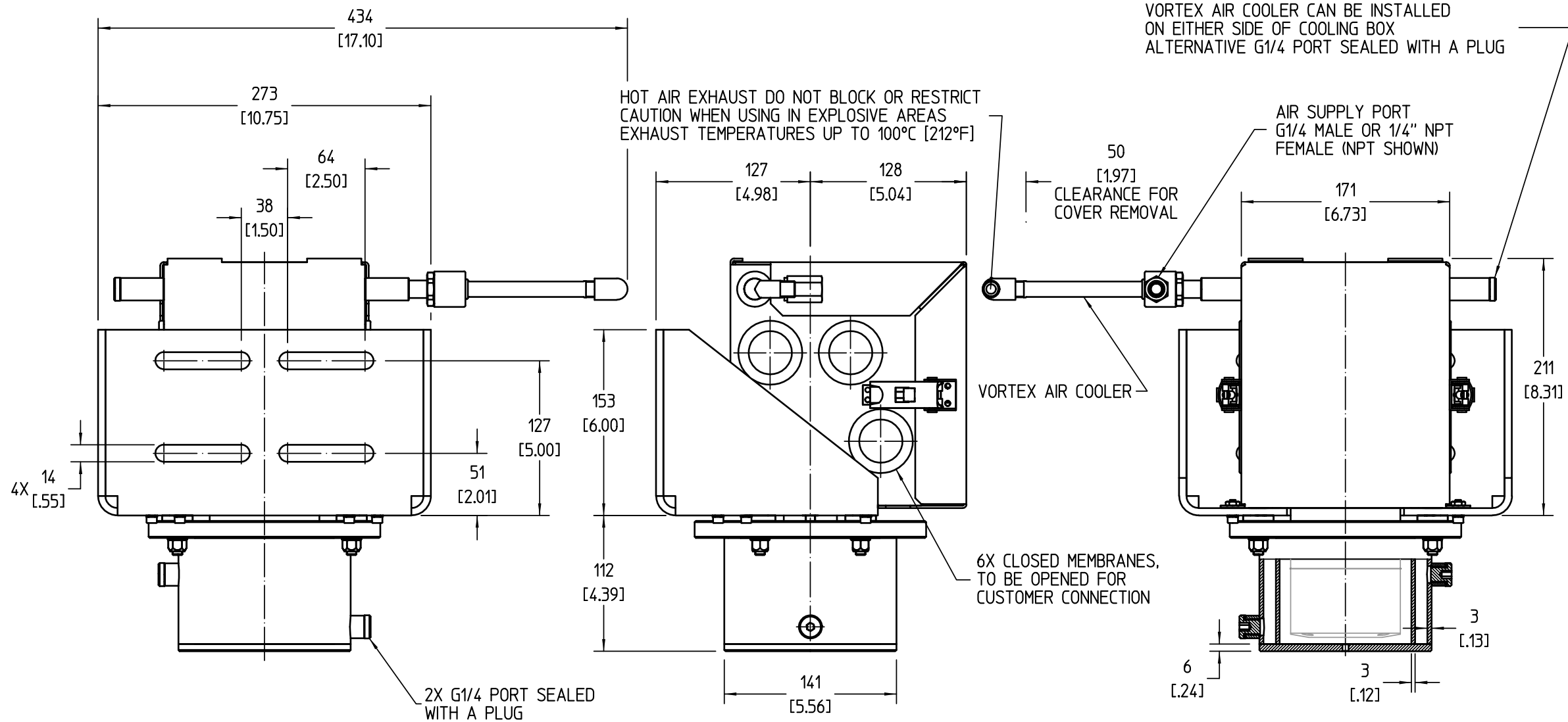


THIS DOCUMENT INCLUDES INFORMATION WHICH IS PROPRIETARY TO VEGA AMERICAS INC. NEITHER THIS DOCUMENT NOR THE INFORMATION DISCLOSED HEREIN SHALL BE USED OR DISCLOSED TO OTHERS FOR MANUFACTURING OR ANY OTHER PURPOSE EXCEPT AS SPECIFICALLY AUTHORIZED IN WRITING BY VEGA AMERICAS INC. THIS DOES NOT APPLY TO INFORMATION FURNISHED BY VENDORS OR OTHERS OUTSIDE VEGA AMERICAS INC.

Diese Zeichnung bleibt Eigentum der Firma VEGA Americas Inc. Sie darf ohne unsere Genehmigung weder kopiert, noch 3. Personen oder Konkurrenzfirmen mitgeteilt werden. (g 2 Abs.1 Ziff.7 UrhG vom 09.09.1965)



FRONT COVER REMOVED

NOTES:  
1. EXPOSED MATERIAL IS 316 STAINLESS STEEL WITH RUBBER MEMBRANES.  
2. APPROXIMATE WEIGHT OF COOLING SYSTEM IS 10.3 kg [23 lb].

		04	UPDATED NOTE 1		32427	14.08.2019	schmidts	shreveb	
		03	ADDED NOTES		31318	02.05.2019	conley	shreveb	
		02	UPDATED AIRBOX DESIGN		29479	07.05.2018	schmidts	shreveb	
		01	UPDATED AIR BOX COOLER CONNECTION		27459	23.11.2016	shreveb	shreveb	
Passmaß/tol.dimens.	Abmaß/allowance	Änderung / revision					Änd. Nr. / EON no.	Datum / Date	gezeichnet / freigegeben / drawn / checked
	Freimaßtoleranz / general tolerance	gezeichnet / drawn	Datum/Date	Name/Name	Benennung	Description			
		freigegeben / checked	15.09.2016	shreveb					
Werkstoff / Material		Maßstab / Scale			Art.Nr. / Art.No.		MB6940-US		
		Originalformat / size of origin	VEGA Americas Inc. 4241 Allendorf Drive Cincinnati, Ohio 45209 USA		Zchngs.-Nr. / Drawing No.		MB6940-US		
		Blatt / Sheet	1 von 1		Var.Fam.: PT-C31.XXAX002XXXX		Var.Fam.2:POINTRAC31-CO		
					Teil ähnl. / sim. part		Ersatz f./replacement f.		
					Arb.Anw. / work.instr.		DIMENSIONS/BENASSUNGEN: mm [INCHES]		