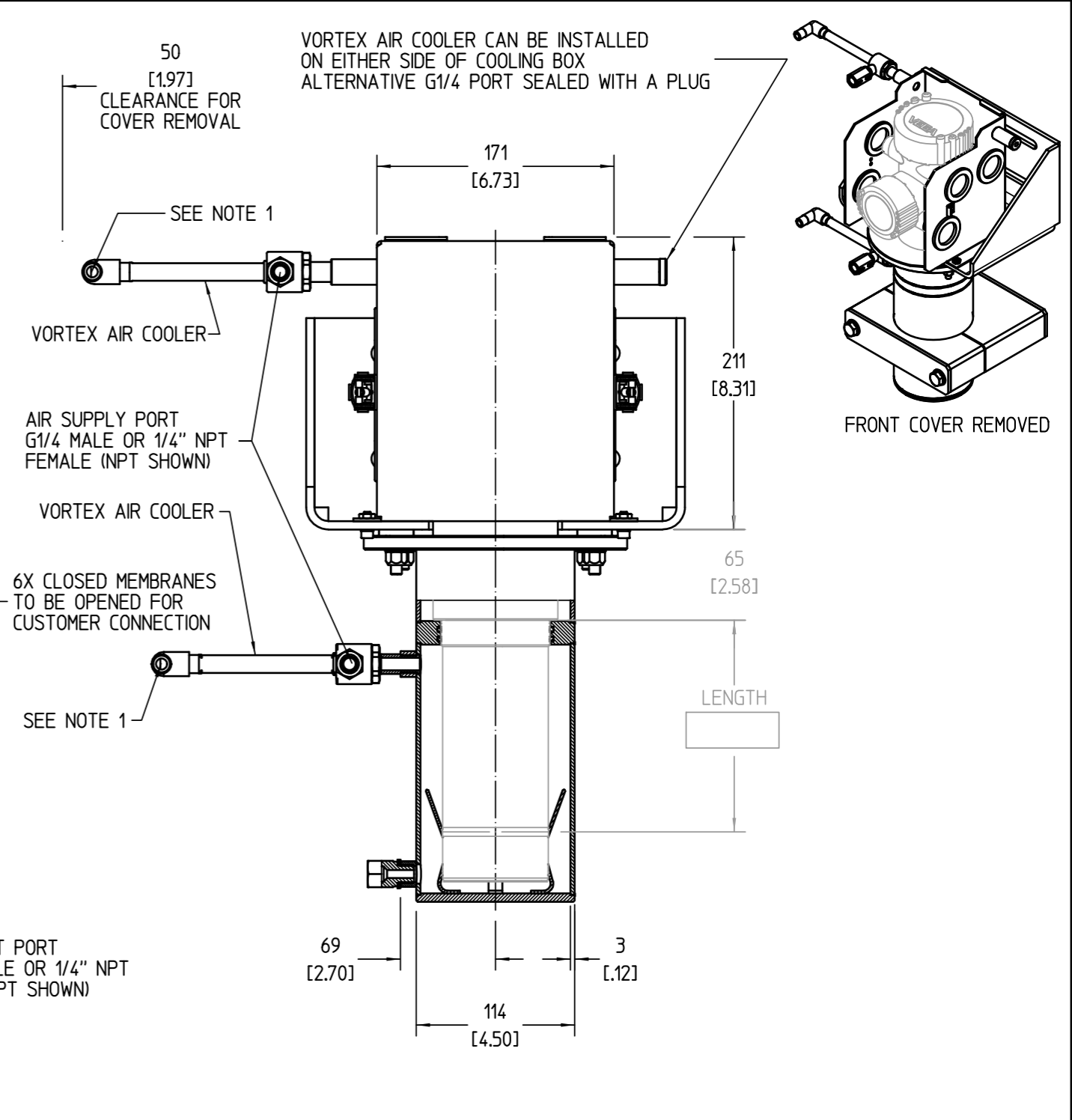
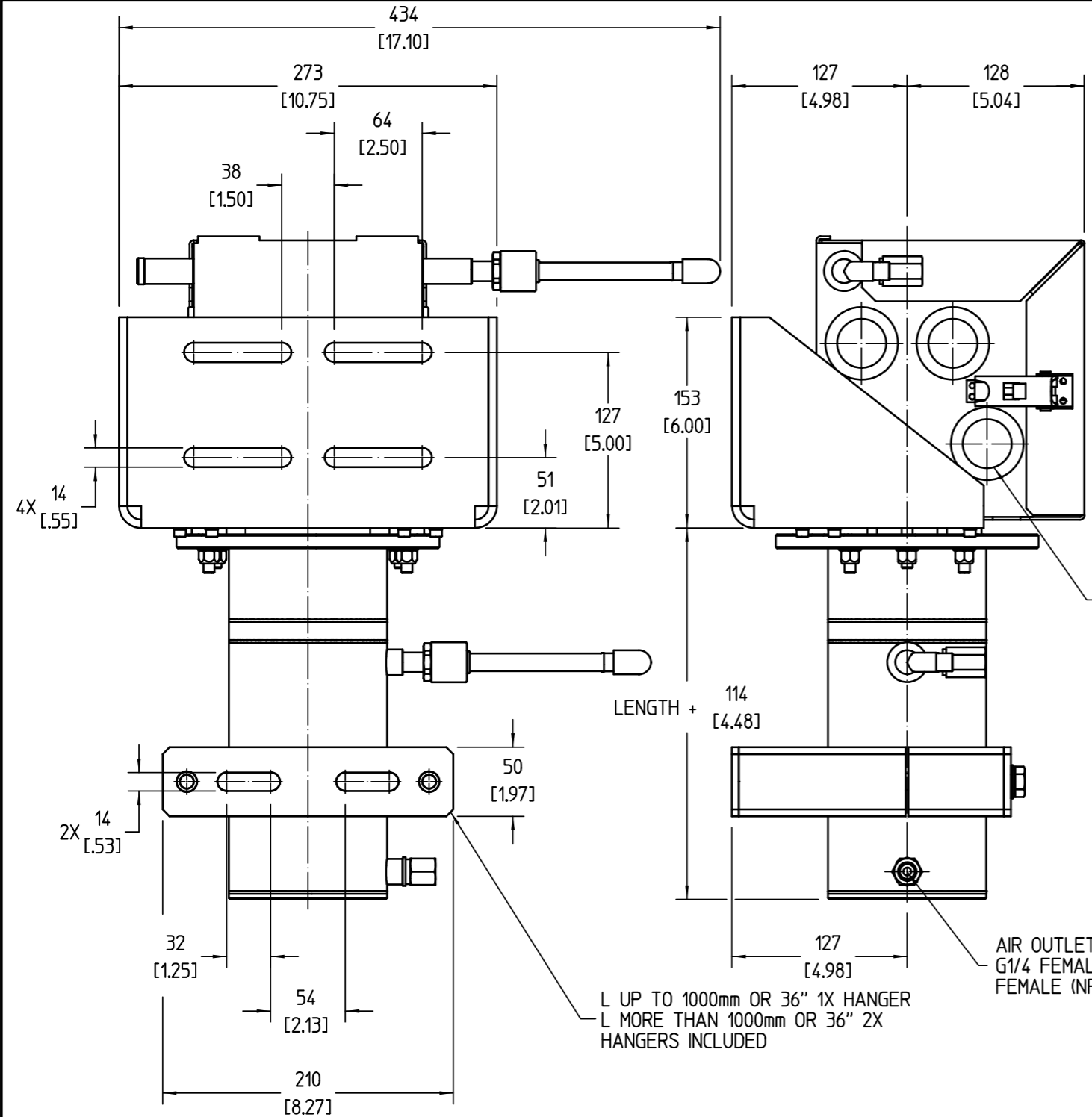


THIS DOCUMENT INCLUDES INFORMATION WHICH IS PROPRIETARY TO VEGA AMERICAS INC. NEITHER THIS DOCUMENT NOR THE INFORMATION DISCLOSED HEREIN SHALL BE USED OR DISCLOSED TO OTHERS FOR MANUFACTURING OR ANY OTHER PURPOSE EXCEPT AS SPECIFICALLY AUTHORIZED IN WRITING BY VEGA AMERICAS INC. THIS DOES NOT APPLY TO INFORMATION FURNISHED BY VENDORS OR OTHERS OUTSIDE VEGA AMERICAS INC.

Diese Zeichnung bleibt Eigentum der Firma VEGA Americas Inc. Sie darf ohne unsere Genehmigung weder kopiert, noch 3. Personen oder Konkurrenzfirmen mitgeteilt werden. (g 2 Abs.1 Ziff.7 UrhG vom 09.09.1965)



- NOTES:**
- HOT AIR EXHAUST DO NOT BLOCK OR RESTRICT.
  - CAUTION WHEN USING IN EXPLOSIVE AREAS EXHAUST TEMPERATURES UP TO 100°C [212°F].
  - EXPOSED MATERIAL IS 316 STAINLESS STEEL WITH RUBBER MEMBRANES.
  - APPROXIMATE WEIGHT OF COOLING SYSTEM IS 12.8 kg [29 lb] + .0088 kg/mm [.1 lb/in] X LENGTH.

|                      |                                     |                                 |  |           |                              |                          |            |                                     |              |  |
|----------------------|-------------------------------------|---------------------------------|--|-----------|------------------------------|--------------------------|------------|-------------------------------------|--------------|--|
|                      |                                     | 07                              | ADDED NOTES 3 & 4  |           |                              | 31318                    | 25.04.2019 | conley                              | shreveb      |  |
|                      |                                     | 06                              | UPDATED AIRBOX DESIGN  |           |                              | 29479                    | 27.04.2018 | jaward                              | shreveb      |  |
|                      |                                     | 05                              | UPDATED "L" DIMENSION  |           |                              | 29791                    | 20.03.2018 | schmidts                            | shreveb      |  |
|                      |                                     | 04                              | UPDATED AIR BOX COOLER CONNECTION                                  |           |                              | 27459                    | 23.11.2016 | shreveb                             | shreveb      |  |
| Passmaß/tol.dimens.  | Abmaß/allowance                     | Änderung / revision             |  |           |                              |                          |            | Änd. Nr. / EON no.                  | Datum / Date | gezeichnet / freigegeben / drawn / checked |
|                      | Freimaßtoleranz / general tolerance | gezeichnet / drawn              | Datum/Date   | Name/Name | Benennung                    | Description              |            |                                     |              |  |
|                      |                                     | freigegeben / checked           | 21.10.2015   | grieshopc | AIR COOLING POINTRAC 31      | AIR COOLING POINTRAC 31  |            |                                     |              |  |
|                      |                                     | Maßstab / Scale                 | 28.10.2015   | shreveb   |                              |                          |            |                                     |              |  |
| Werkstoff / Material |                                     | Originalformat / size of origin | <b>VEGA</b>  |           | Art.Nr. / Art.No.            | MB6568-1-US              |            | Änd.-Zust. / Rev.                   |              |  |
|                      |                                     | B                               | VEGA Americas Inc. 4241 Allendorf Drive Cincinnati, Ohio 45209 USA |           | Zchngs.-Nr. / Drawing No.    | MB6568-1-US              |            | 07                                  |              |  |
|                      |                                     | Blatt / Sheet                   |  |           | Var.Fam.: PT-C31.XXAXXXXXXXX | Var.Fam.2:POINTRAC31-CO  |            |                                     |              |  |
|                      |                                     | 1 von 1                         |  |           | Teil ähnl. / sim. part       | Ersatz f./replacement f. |            |                                     |              |  |
|                      |                                     |                                 |  |           | Arb.Anw. / work.instr.       |                          |            | DIMENSIONS/BEMASSUNGEN: mm [INCHES] |              |  |